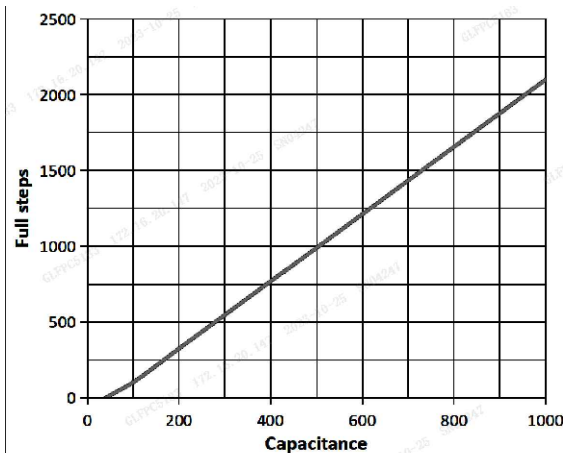


Data-Sheet-Motorized Vacuum Capacitor

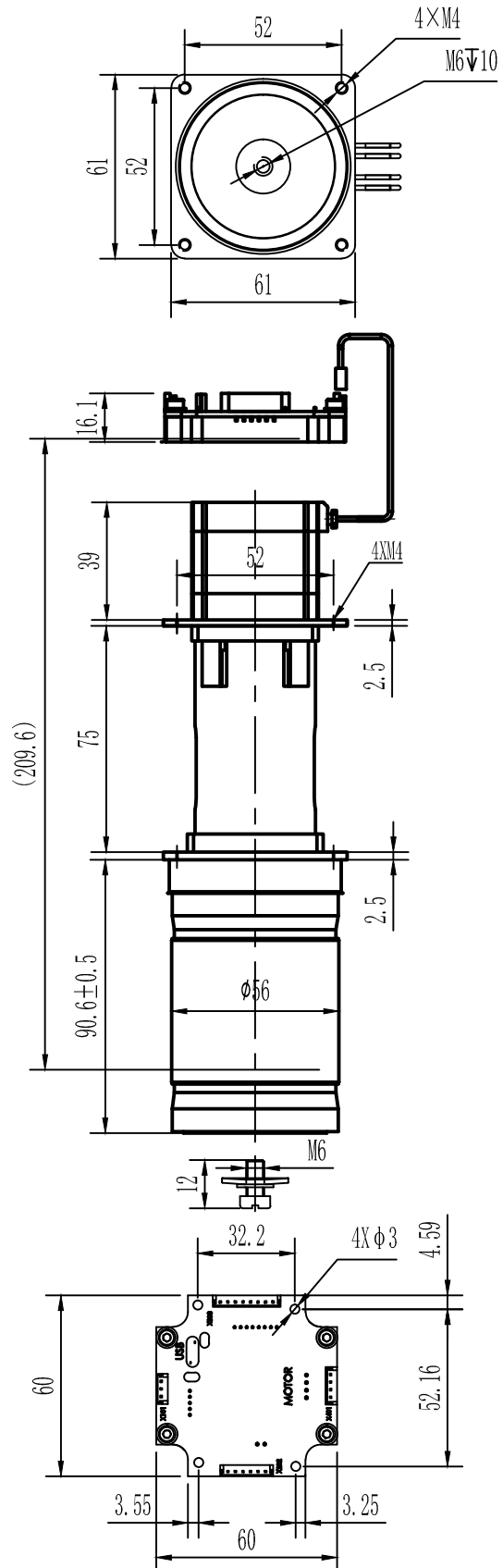
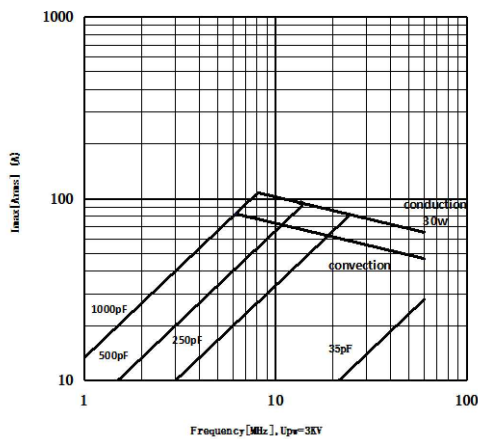
YL56-5-1000M



Specification	
Capacity C_{max} (nominal)	1000pF
Capacity C_{min} (nominal)	100pF
Voltage (Peak Test U_{pt} /Peak Working U_{pw})	5kVp/3kVp
Capacity tolerance (linear Range)	$\pm 1\%$
Max. Current I_{max} at 13.56MHz with	95Arms
Conduction Cooling	30W
Self Inductance	$\leq 8nH$
Capacitance per 100 steps	47pF
Net Weight	1.2kg
Ground to variable end capacitance	$\leq 5pF$



I_{max} at 25 °C ambient and 125 °C surface for convection and conduction (30w) cooling



UNLESS OTHERWISE SPECIFIED:

$\leq 30: \pm 0.5$ $30 \sim 400: \pm 1.2$ $\geq 400: \pm 2.5$ $\angle \pm 1^\circ$

Rev:00

Page 1/3 Issue: 09-Nov-2022

Address: ST28 Xihu Road, Kunshan, Jiangsu Province, China
TEL: +86 (512) 36872110

Web: www.glvac.com
FAX: +86 (512) 36872122

E-mail: e-sales@glvac.cn
Zip Code: 215333