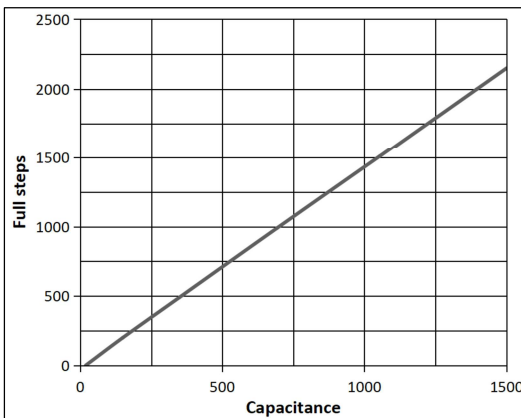
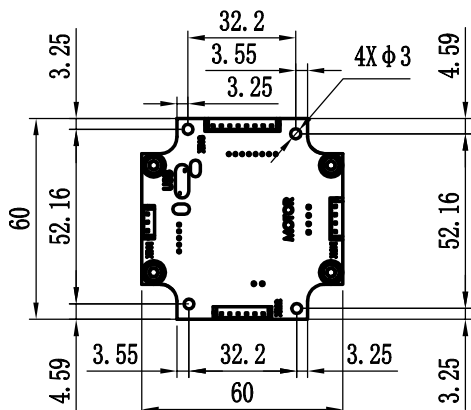
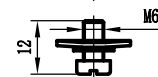
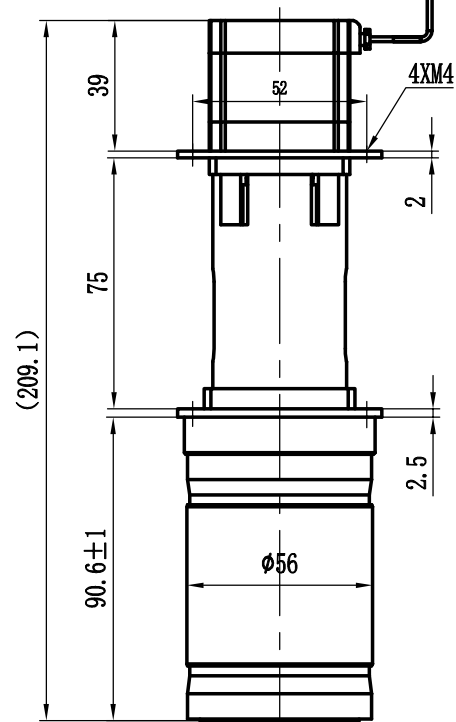
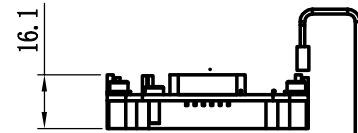
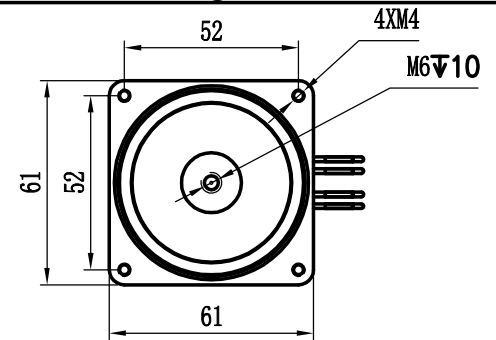


# Data-Sheet-Motorized Vacuum Capacitor YL56-4-1500M

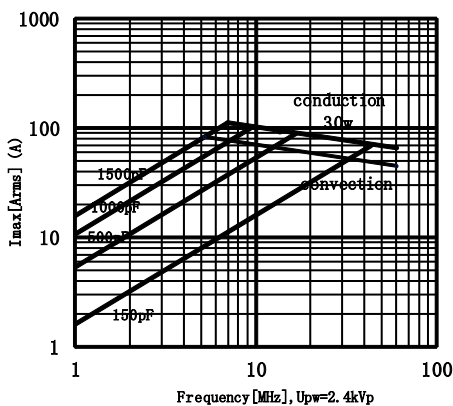


www.glvac.com

Specification	
Capacity $C_{max}$ (nominal)	1500pF
Capacity $C_{min}$ (nominal)	150pF
Voltage (Peak Test $U_{pt}$ /Peak Working $U_{pw}$ )	4kVp/2.4kVp
Capacity tolerance (linear Range)	$\pm 1\%$
Max. Current $I_{max}$ at 13.56MHz with	95Arms
Conduction Cooling	30W
Self Inductance	$\leq 8nH$
Capacitance per 100 steps	70pF
Net Weight	1.3kg
Ground to variable end capacitance	$\leq 5pF$



$I_{max}$  at 25 °C ambient and 125 °C surface for convection and conduction (30w) cooling



UNLESS OTHERWISE SPECIFIED:

$\leq 30: \pm 0.5$   $30 \sim 400: \pm 1.2$   $\geq 400: \pm 2.5$   $\angle \pm 1^\circ$

Address: ST28 Xihu Road, Kunshan, Jiangsu Province, China  
TEL: +86 (512) 36872110

Rev:00

Web: www.glvac.com  
FAX: +86 (512) 36872122

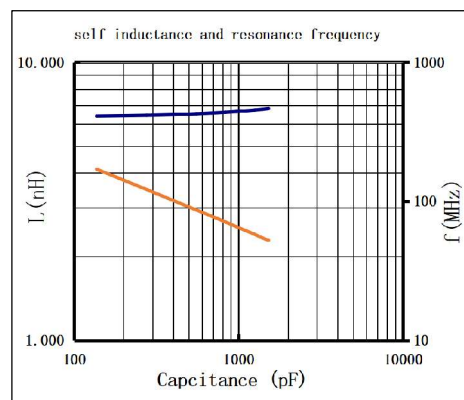
Page 1/3 Issue: 18-Jun-2022

E-mail: e-sales@glvac.cn  
Zip Code: 215333

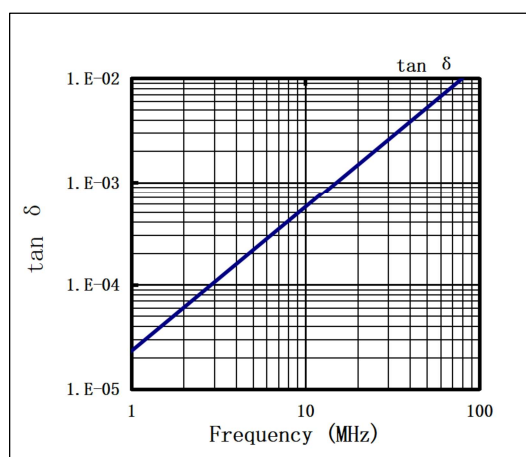
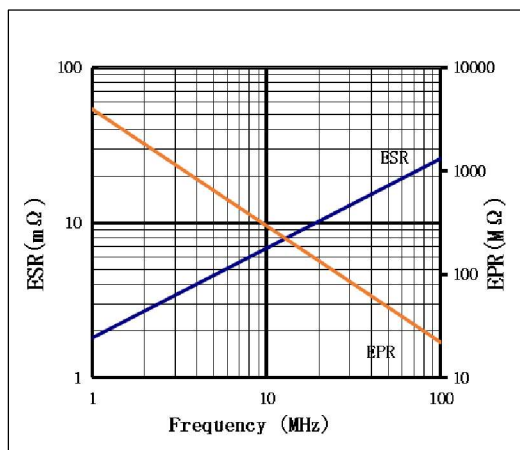
# Data-Sheet-Motorized Vacuum Capacitor YL56-4-1500M



FullSteps	Nominal	Tolerance
	Capacitance[pF]	
0	19.5	1%
219	150.1	1%
500	349.0	1%
1000	692.5	1%
1500	1053.8	1%
2000	1395.7	1%
2136	1500.5	1%



Mechanical stop Cmin. at <150pF  
Mechanical stop Cmin. at >1500pF



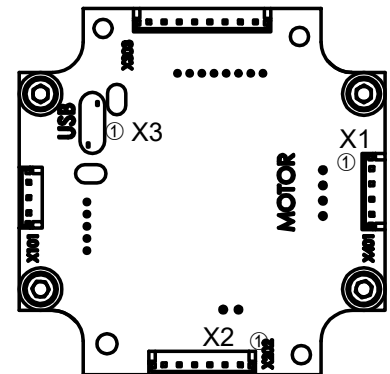
### General handling information for the integrated drive

When installing or removing the integrated drive, extreme care must be taken to avoid damage to the body of the integrated drive. Although the integrated drive looks very rugged from the outside, it must be remembered that, due to the brazing process used to join ceramic and copper, the copper is in a soft, annealed condition and is therefore highly avoided. Use existing threads and holes for fixation. For all integrated drives, we recommend that one side be mounted non-rigid to prevent excessive thermomechanical and external forces from acting on the capacitor.

Data-Sheet-Motorized Vacuum Capacitor  
YL56-4-1500M



Drive Specification	
Tuning speed (end to end)	< 3s
Backlash	≤ 2
Operation mode	Bipolar
Nr.of phases	2
Rated phase current(RMS)	1.5A
Supply voltage(DC)	24V
Full step angle	1.8°
Motor frame size	42mm



X1 Motor			
Pin1	OB2	Blue	B-
Pin2	OB1	Red	B
Pin3	OA2	Green	A-
Pin4	OA1	Black	A

X2 Power and Communication	
Pin1	0V(GND)
Pin2	9V—30V(VDD)
Pin3	
Pin4	
Pin5	RS232_TXD
Pin6	RS232_RXD

X3 Mini-USB			
Pin1	VBUS	Power	5V
Pin2	D-	Bidirection	USB Data -
Pin3	D+	Bidirection	USB Data+
Pin4	ID	Power(GND)	Connected to signal and system ground
Pin5	GND	Power(GND)	Connected to signal and system ground

X4 is not used