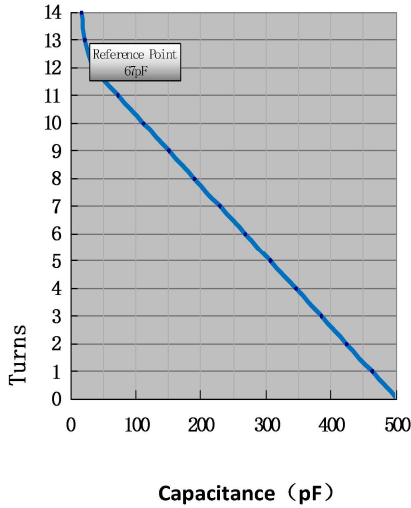
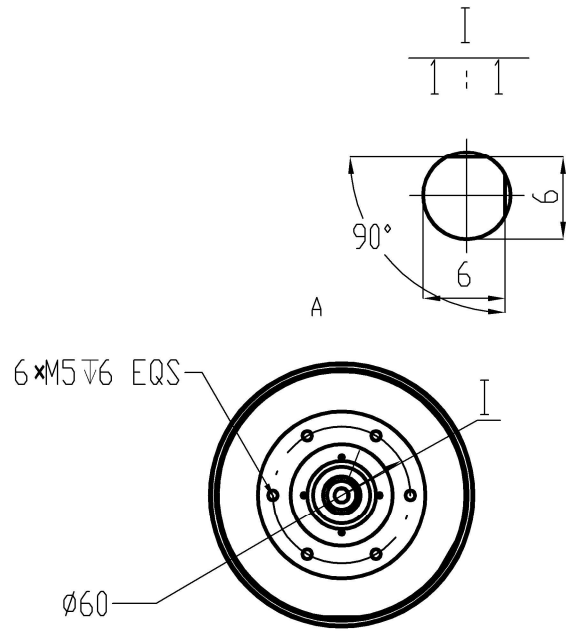


# Data-Sheet-Variable Vacuum Capacitor YL115-25-500C

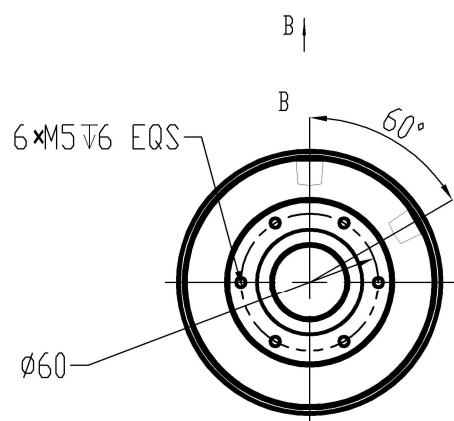
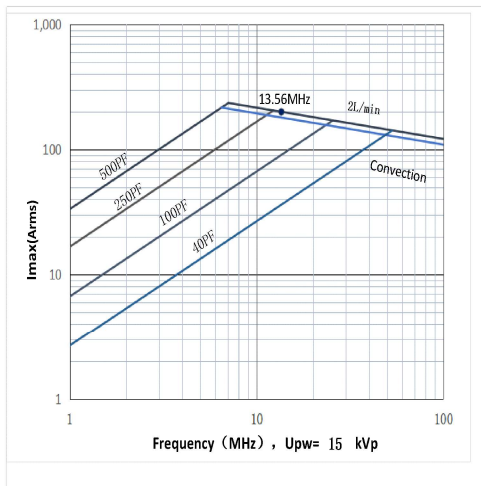
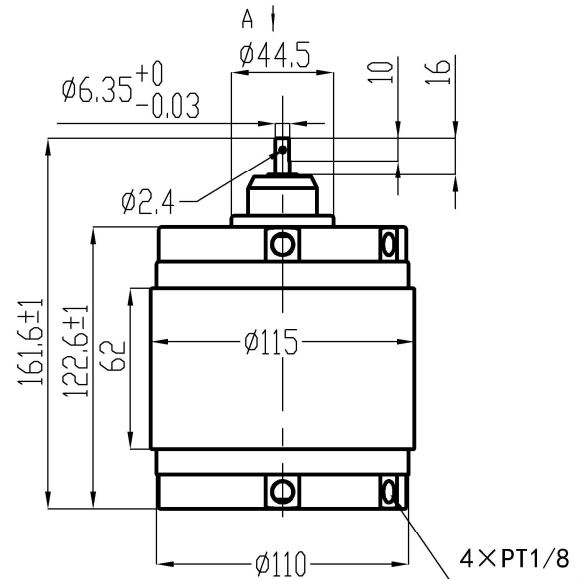


www.glvac.com

Specification	
Capacity $C_{max}$ (nominal)	500pF
Capacity $C_{min}$ (nominal)	40pF
Voltage (Peak Test $U_{pt}$ /Peak Working $U_{pw}$ )	25kVp/15kVp
Capacity Tolerance (Linear Range)	$\pm 5\%$
Max. Current $I_{max}$ at 13.56MHz with Water Cooling	200Arms 2L/min
Capacitance per turn	39pF/turn
Torque	$\leq 0.2N \cdot m$
Net Weight	$\leq 3.6kg$
Turns	$14.3 \pm 0.3$



$I_{max}$  at 2L/min watercooling; max. temp. at inlet 70 °C



UNLESS OTHERWISE SPECIFIED:

$\leq 30: \pm 0.5$   $30 \sim 400: \pm 1.2$   $\geq 400: \pm 2.5$   $\angle \pm 1^\circ$

Rev:01

Page: 1/1

Issue: 08-Feb-2023

Address: ST28 Xihu Road, Kunshan, Jiangsu Province, China  
TEL: +86 (512) 36872110

Web: www.glvac.com  
FAX: +86 (512) 36872122

E-mail: e-sales@glvac.cn  
Zip Code: 215333