

Data-Sheet-Trimmer Vacuum Capacitor

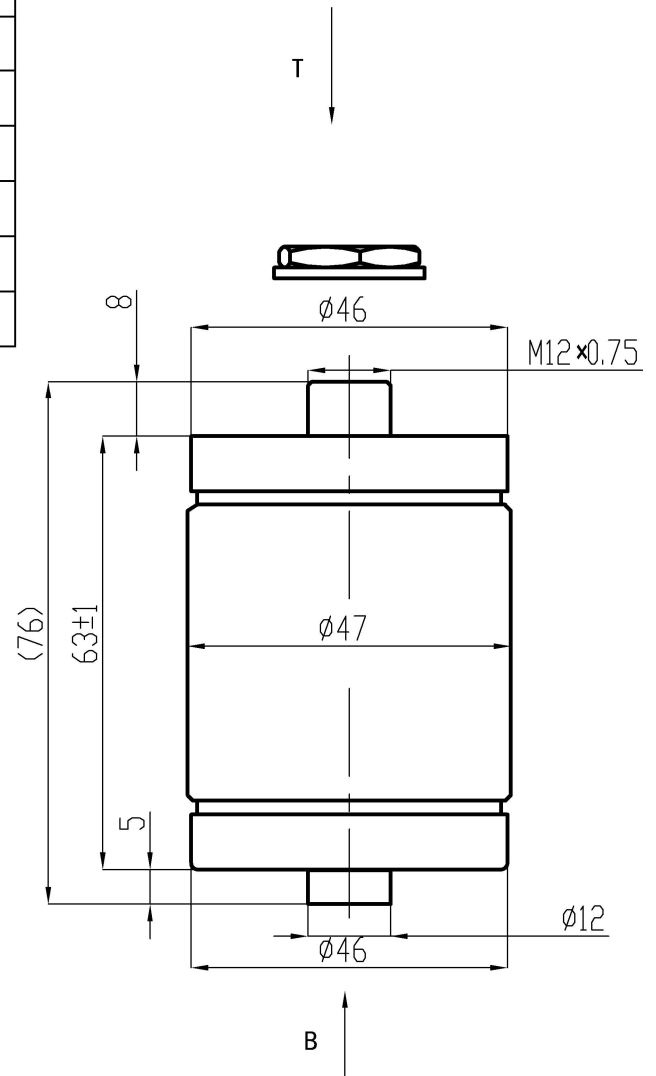
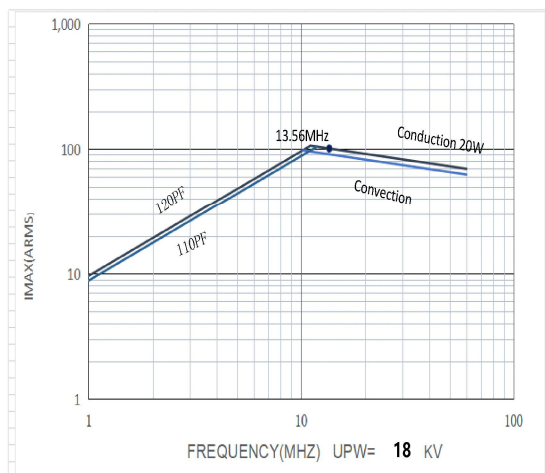
CKTBT115/18/101



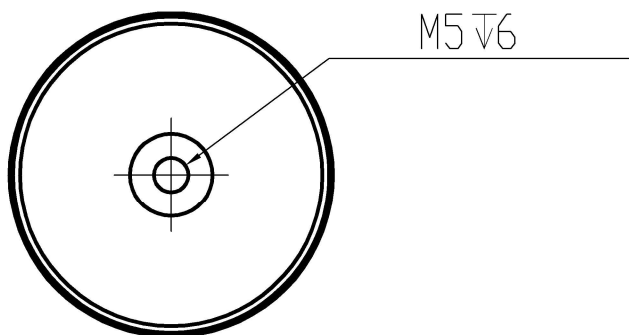
www.glvac.com

Specification	
Capacity C_{max} (nominal)	120pF
Capacity C_{min} (nominal)	110pF
Voltage (Peak Test U_{pt} /Peak Working U_{pw})	30kVp/18kVp
Max. Current I_{max} at 13.56MHz with	101Arms
Conduction Cooling	20W
Capacitance per turn	3pF
Torque	< 0.2N · m
Net Weight	0.7kg

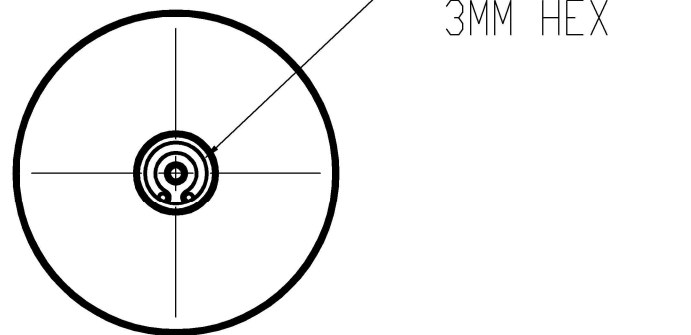
I_{max} at 25 °C ambient and 125 °C surface for convection and conduction (20W) cooling



VIEW B



VIEW T



SETTING SCREW
3MM HEX

UNLESS OTHERWISE SPECIFIED:

≤30: ±0.5 30~400: ±1.2 ≥400: ±2.5 ∠±1°

Rev:00

Page: 1/1

Issue: 12-Nov-2020

Address: ST28 Xihu Road, Kunshan, Jiangsu Province, China
TEL: +86 (512) 36872110

Web: www.glvac.com
FAX: +86 (512) 36872122

E-mail: e-sales@glvac.cn
Zip Code: 215333