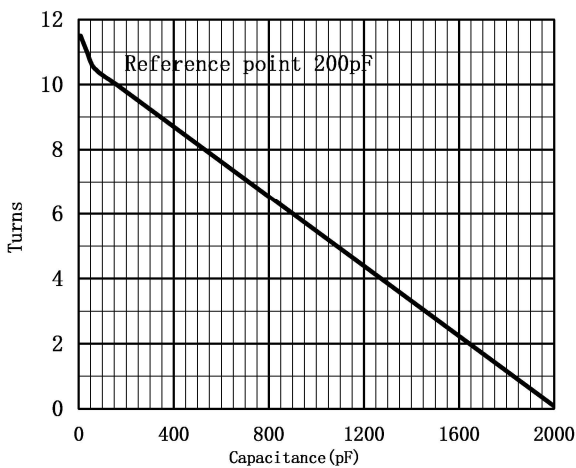
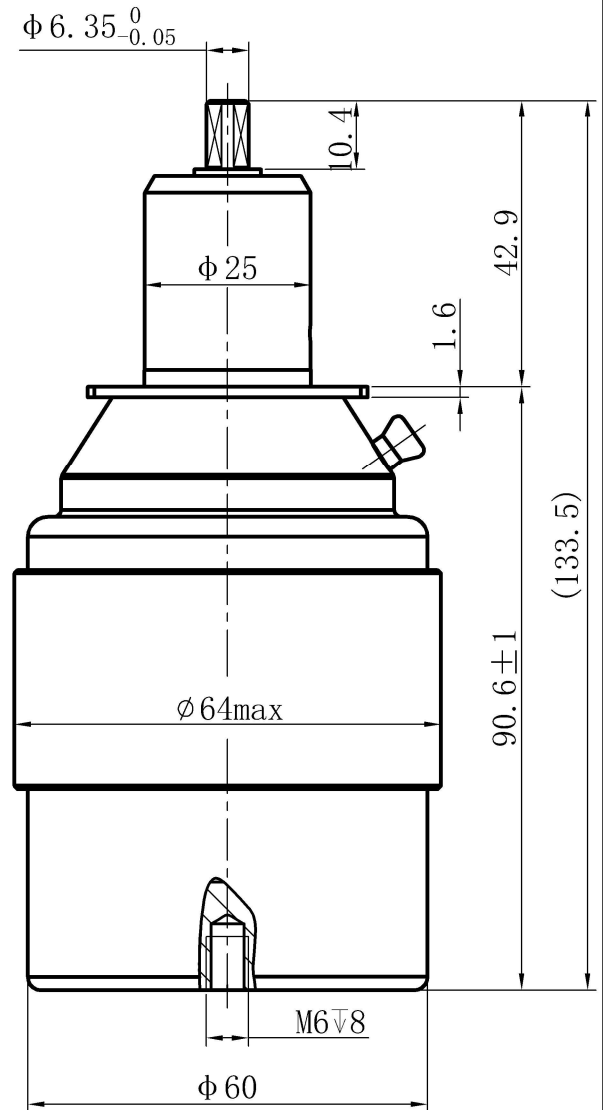


Data-Sheet-Variable Vacuum Capacitor CKTB2000/3/86N1

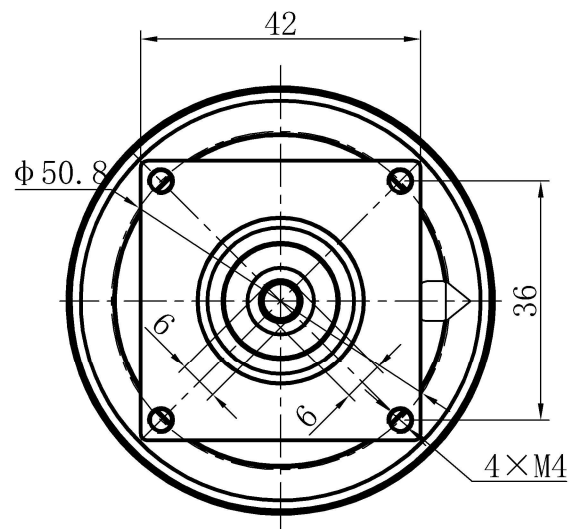
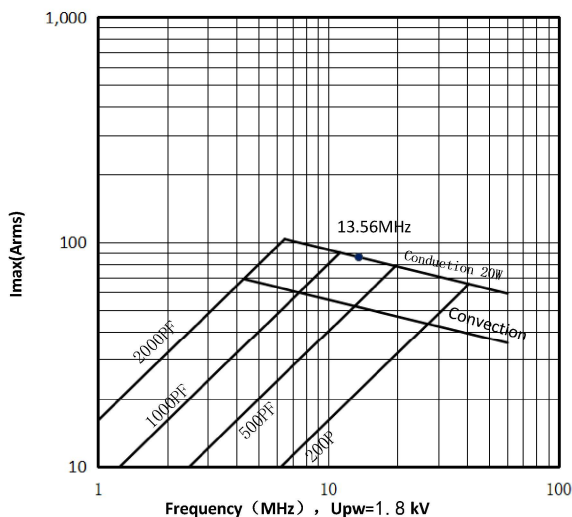


www.glvac.com

Specification	
Capacity C_{max} (nominal)	2000pF
Capacity C_{min} (nominal)	200pF
Voltage (Peak Test U_{pt} /Peak Working U_{pw})	3kVp/1.8kVp
Capacity tolerance (linear Range)	$\pm 10\%$
Max. Current I_{max} at 13.56MHz with conduction cooling	86Arms
	20W
Tuner Turns	11.5 ± 0.5
Capacitance per turn	185.6pF/turn
Torque	$\leq 0.2N \cdot m$
Net Weight	0.7kg



I_{max} at 25°C ambient and 125 °C surface temp for convection and conduction(20W) cooling.



UNLESS OTHERWISE SPECIFIED:

≤ 30 : ± 0.5 30~400: ± 1.2 ≥ 400 : ± 2.5 \angle : $\pm 1^\circ$

Rev: 00

Page1/1

Issue: 26-Sep-2022

Address: ST28 Xihu Road, Kunshan, Jiangsu Province, China
TEL: +86 (512) 36872110

Web: www.glvac.com
FAX: +86 (512) 36872122

E-mail: e-sales@glvac.cn
Zip Code: 215333