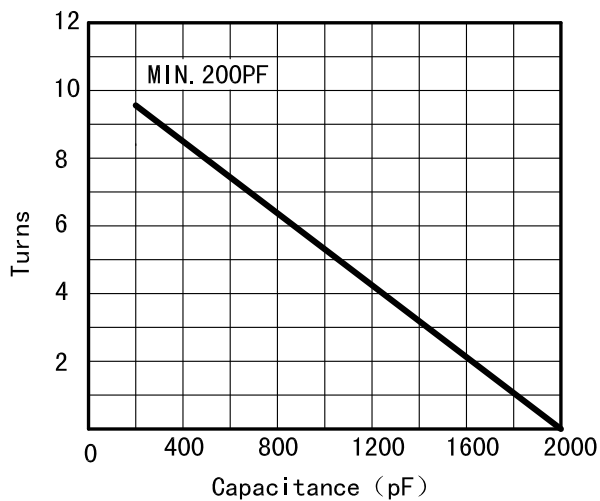
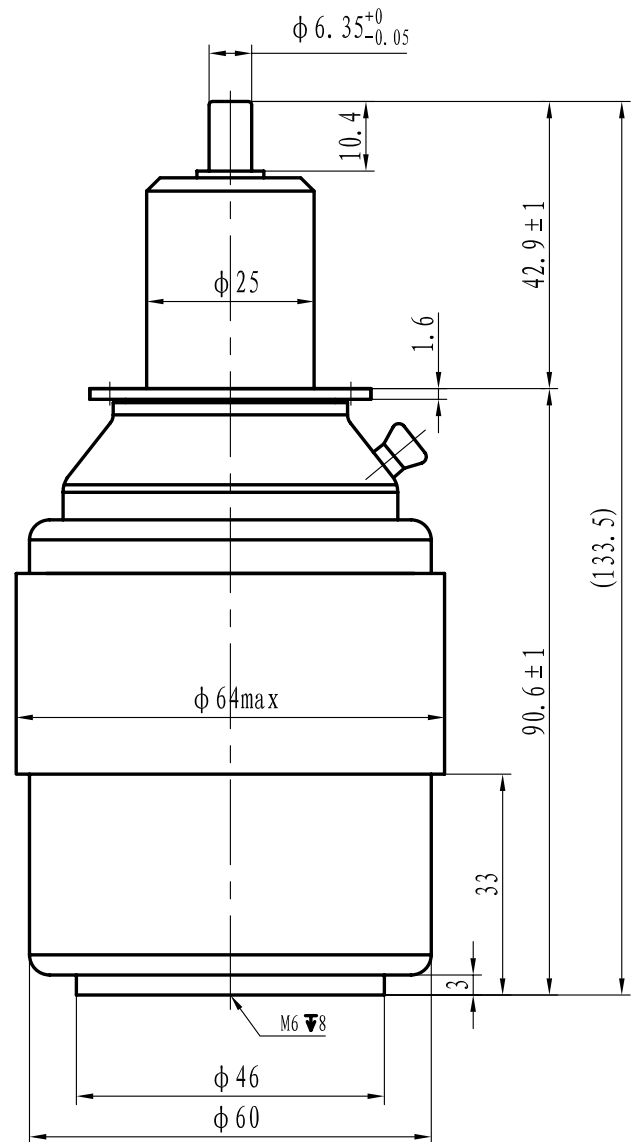


# Data-Sheet-Variable Vacuum Capacitor CKTB2000/2. 1/86



www.glvac.cn

Specification	
Capacity $C_{max}$ (nominal)	2000pF
Capacity $C_{min}$ (nominal)	200pF
Voltage (Peak Test $U_{pt}$ /Peak Working $U_{pw}$ )	3kV/1.8kV
Capacity tolerance (liner Range)	10%
Max. Current $I_{max}$ at 13.56MHz with	86Arms
Conduction Cooling	20W
Capacitance per turn	189pF/turn
Torque	$\leq 0.2Nm$
Net Weight	0.7kg



$I_{max}$  at ambient and 125 °C surface temp. for convection and conduction (20w) cooling

